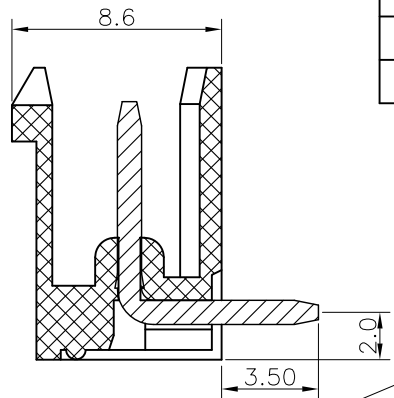


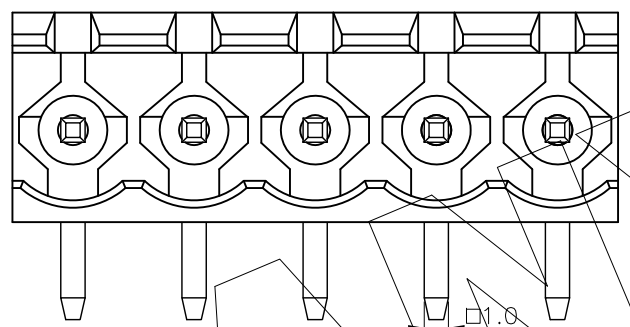
**N=Number of contacts**



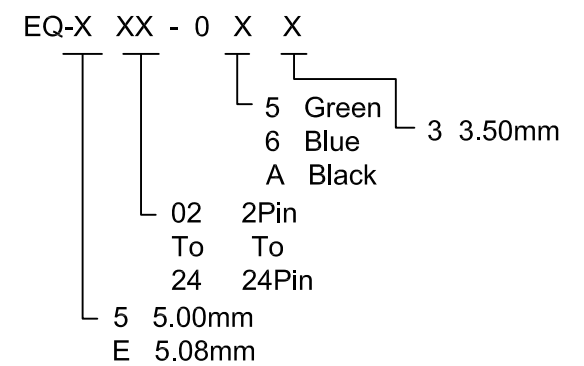
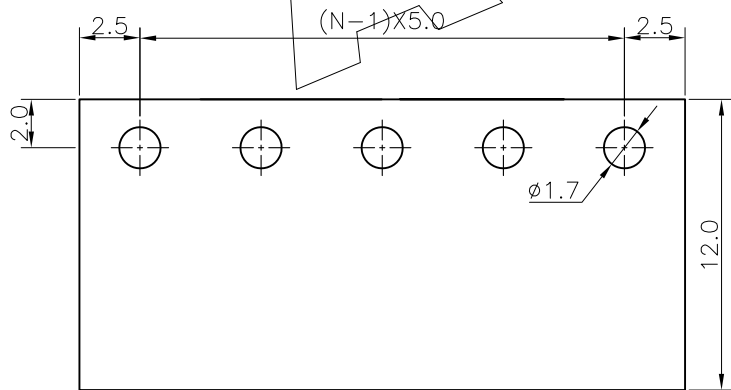
REVISION DATA		
REV	DESCRIPTION	DATE
A0	NEW DRAWING	2015-01-31

### Technical Data:

Material:  
 Solder Pin: Brass with Tin plated  
 Insulator body(housing): Polyamide (Glass filled)(UL94V-0)  
 Electrical  
 Voltage rating: 250VAC  
 Current rating: 10A  
 Insulation resistance: 500MΩ at DC 500V  
 Withstanding Voltage: AC 1500V(1min)  
 Mechanical:  
 Using temperature Range: -40°C to +105°C  
 Soldering temperature:+250°C,5seconds Max.



**PCB. LAYOUT**



**ANYCONN® 东莞市恩康电子有限公司**  
 www.enkcom.com **DONGGUAN ANYCONN ELECTRONICS CO.,LTD**

TOLERANCE	PROJECTON		TITLE:
ANGLE ±5°	DATE :	2015-01-31	EQ Pitch 5.0mm Series
X.XXX ±0.10	DRAWN :	JANE	PART NO: EQ5XX0X3B
X.XX ±0.20	CHECKED :		DRAWING NO:
X.X ±0.30	APPROVED :		REV: A0 UNIT: mm SCALE: 1:1 SIZE: A4
X. ±0.50			