

4

3

2

1

## REVISION DATA

| REV | DESCRIPTION | DATE       |
|-----|-------------|------------|
| A0  | NEW DRAWING | 2012-10-25 |

## Technical Data:

## Material:

Solder Pin: Brass with Tin plated

Insulator body(housing): Polyamide  
(Glass filled)(UL94V-0)

## Electrical

Voltage rating: 250VAC

Current rating: 10A

Insulation resistance: 500MΩ at DC 500V

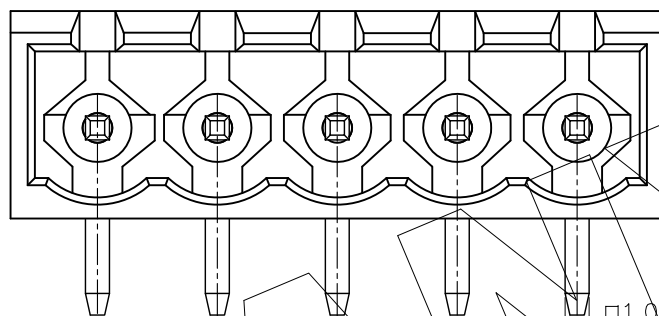
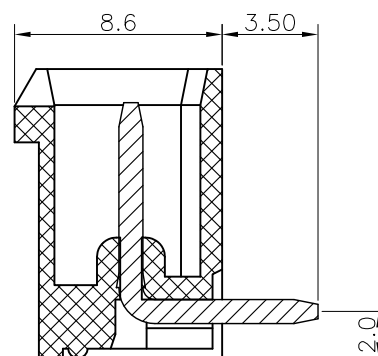
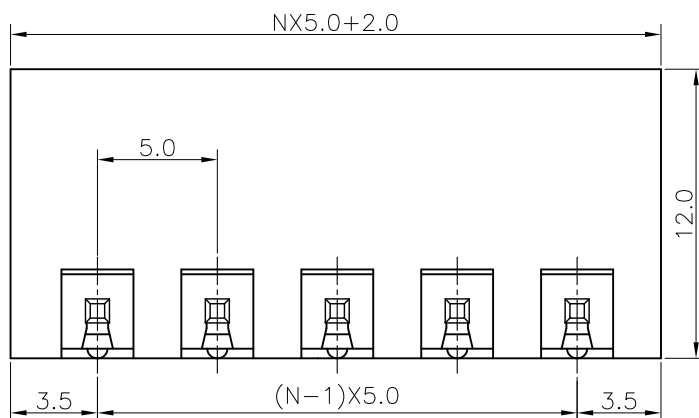
Withstanding Voltage: AC 1500V(1min)

## Mechanical:

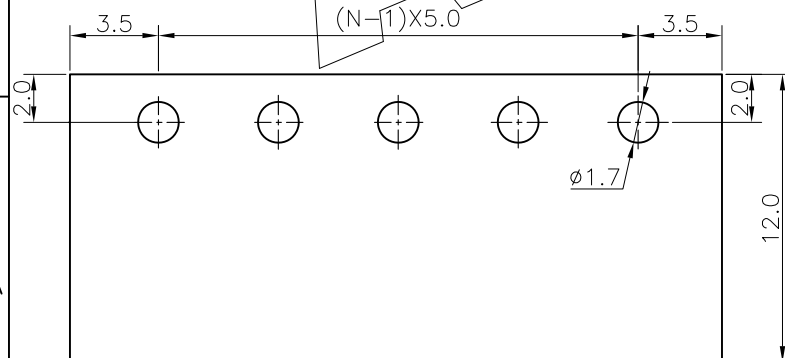
Using temperature Range: -40°C to +105°C

Soldering temperature: +250°C, 5seconds Max.

ENKCOM



N=Number of contacts



PCB. LAYOUT

| EQ-X | XX -0    | X | X        |
|------|----------|---|----------|
|      |          |   | 5 Green  |
|      |          |   | 6 Blue   |
|      | 02 2Pin  |   | 8 Grey   |
|      | To To    |   | A Black  |
|      | 24 24Pin |   | O Orange |
|      |          |   | R Red    |
|      |          |   | w White  |
|      |          |   | Y Yellow |
|      |          |   | 6 4.00mm |
|      |          |   | 5 5.0mm  |
|      |          |   | E 5.08mm |
|      |          |   | 7 7.50mm |
|      |          |   | G 7.62mm |

ANYCONN® 东莞市恩康电子有限公司

www.enkcom.com

DONGGUAN ANYCONN ELECTRONICS CO.,LTD

| TOLERANCE           | PROJECTON        | TITLE:                              |
|---------------------|------------------|-------------------------------------|
| ANGLE $\pm 5^\circ$ | DATE: 2012-10-25 | EQ 5.0mm Series<br>Right Angle Type |
| X.XXX $\pm 0.10$    | DRAWN: LSJ       | PART NO: EQ5XX0X3E                  |
| X.XX $\pm 0.20$     | CHECKED:         | DRAWING NO:                         |
| X.X $\pm 0.30$      | APPROVED:        | REV: A0                             |
| X. $\pm 0.50$       |                  | UNIT: mm                            |
|                     |                  | SCALE: 1:1                          |
|                     |                  | SIZE: A4                            |