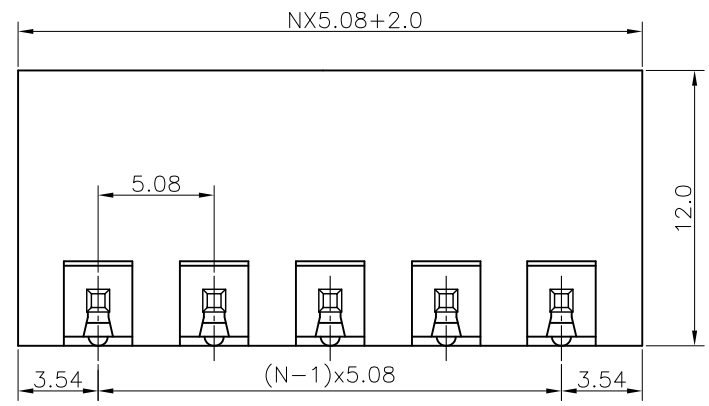


REVISION DATA		
REV	DESCRIPTION	DATE
A0	NEW DRAWING	2012-10-25

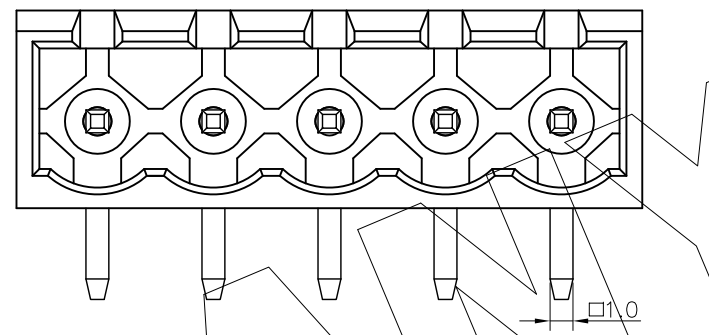
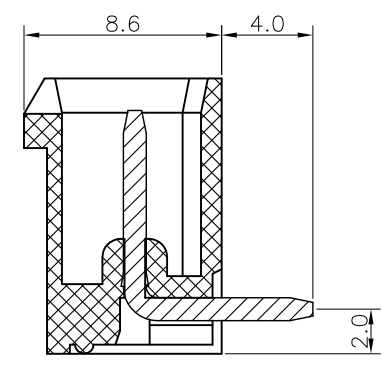
### Technical Data:

**Material:**  
 Solder Pin: Brass with Tin plated  
 Insulator body(housing): Polyamide (Glass filled)(UL94V-0)  
**Electrical**  
 Voltage rating: 250VAC  
 Current rating: 10A  
 Insulation resistance: 500MΩ at DC 500V  
 Withstanding Voltage: AC 1500V(1min)  
**Mechanical:**  
 Using temperature Range: -40°C to +105°C  
 Soldering temperature: +250°C, 5seconds Max.

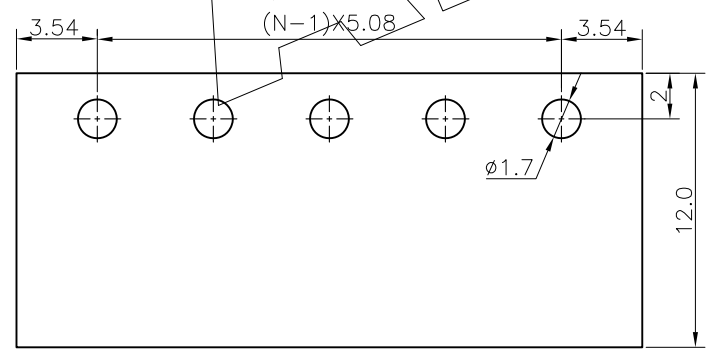
EQ-X XX - 0 X X  
 5 Green 6 4.00mm  
 6 Blue  
 8 Grey  
 02 2Pin  
 To To  
 24 24Pin  
 5 5.00mm  
 E 5.08mm



N=Number of contacts



PCB LAYOUT



**ANYCONN®** 东莞市恩康电子有限公司  
 www.enkcom.com **DONGGUAN ANYCONN ELECTRONICS CO.,LTD**

TOLERANCE	PROJECTON		TITLE:
ANGLE ±5°	DATE :	2012-10-25	EQ Series-5.08mm Close Right Angle Type
X.XXX ±0.10	DRAWN :	LSJ	PART NO: EQEXX0X6E
X.XX ±0.20	CHECKED :		DRAWING NO:
X.X ±0.30	APPROVED :		REV: A0 UNIT: mm SCALE: 1:1 SIZE: A4
X. ±0.50			