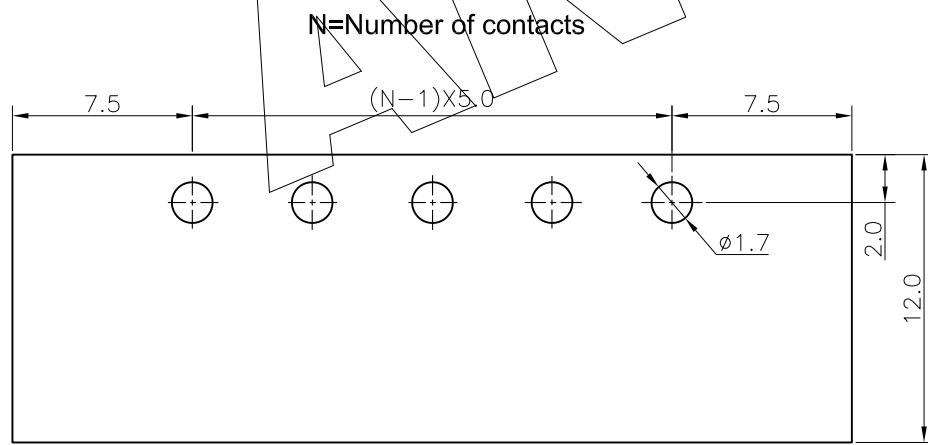
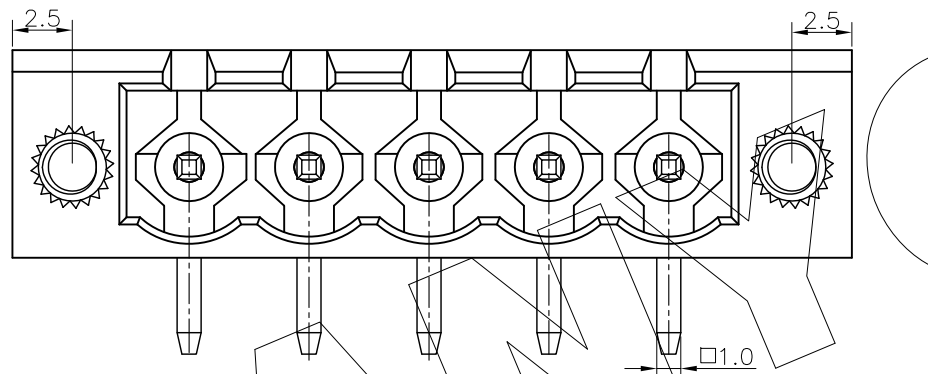


REVISION DATA		
REV	DESCRIPTION	DATE
A0	NEW DRAWING	2012-10-25

Technical Data:

Material:
 Solder Pin: Brass with Tin plated
 Insulator body(housing): Polyamide (Glass filled)(UL94V-0)
 Electrical
 Voltage rating: 250VAC
 Current rating: 10A
 Insulation resistance: 500MΩ at DC 500V
 Withstanding Voltage: AC 1500V(1min)
 Mechanical:
 Using temperature Range: -40°C to +105°C
 Soldering temperature: +250°C, 5seconds Max.



PCB. LAYOUT

EQ-X XX -0 X X
 5 Green
 6 Blue
 A Black
 02 2Pin
 To To
 24 24Pin
 5 5.00mm
 E 5.08mm

ANYCONN® 东莞市恩康电子有限公司
 www.enkcom.com **DONGGUAN ANYCONN ELECTRONICS CO.,LTD**

TOLERANCE	PROJECTON		TITLE:
ANGLE ±5°	DATE :	2012-10-25	EQ 5.0mm Right Angle Auricled Type
X.XXX ±0.10	DRAWN :	LSJ	PART NO: EQ5XX0X3F
X.XX ±0.20	CHECKED :		DRAWING NO:
X.X ±0.30	APPROVED :		REV: A0 UNIT: mm SCALE: 1:1 SIZE: A4
X. ±0.50			