

4

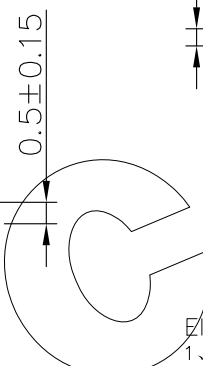
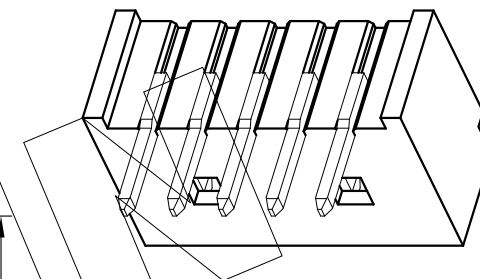
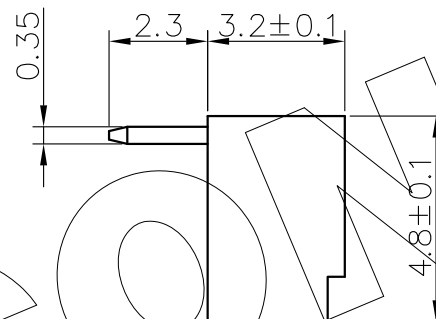
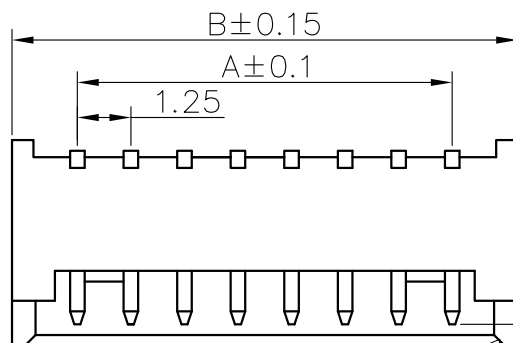
3

2

1

## REVISION DATA

REV	DESCRIPTION	DATE
A0	NEW DRAWING	2016-5-26



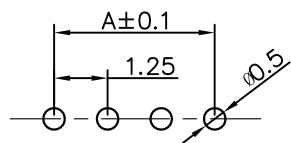
孔位 poles	A	B
2	1.25	4.30
3	2.5	5.55
4	3.75	6.80
5	5.0	8.05
6	6.25	9.30
7	7.5	10.55
8	8.75	11.80
9	10.0	13.05
10	11.25	14.30
11	12.5	15.55
12	13.75	16.80
13	15.0	18.05
14	16.25	19.30
15	17.5	20.55
16	18.75	21.80

## Electrical properties

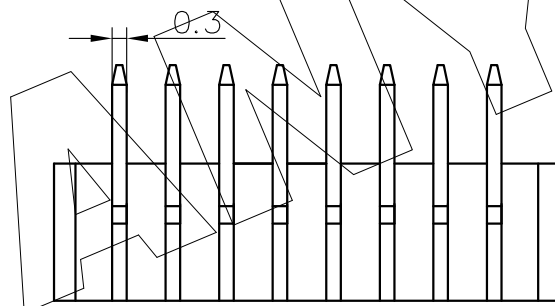
1. Current rating: 1A AC\DC (AWG #26)
2. Voltage rating: 50V AC\DC
3. Temperature range: -25°C to 85°C
4. Contact resistance: Initial value/20mΩ max
5. Insulation resistance: 500MΩ min
6. Withstanding voltage: 500V AC/ minute
7. Applicable wire: AWG #30 to #26

## Environmental controls

1. Banned contains SS - 00259 are restricted substances.
2. The corresponding issued by SGS or ITS icp-aes data, Not the material in a list, and validity.



PCB Layout



序号	名称	材料
1	基座	PBT (UL94-0)
2	插针	磷青铜 (镀锡)

<b>WF</b>	<b>C</b>	<b>R</b>	<b>11</b>	<b>XXX</b>	<b>XX</b>	<b>X</b>	<b>N</b>	<b>RXXX</b>
	Pitch C PH1.25	R 90°	XX Positions	XXX Positions	G0 Gold Flash SN Tin Plated	Insulator Material A PBT B PA66 C PA6T P PC F PA9T	W With peg N NO Peg L With lock T Fixed tabs	RXXX

**ANYCONN®** 东莞市恩康电子有限公司

www.enkcom.com

**DONGGUAN ANYCONN ELECTRONICS CO.,LTD**

TOLERANCE	PROJECTON		TITLE:
ANGLE ±5°	DATE:	2016-5-26	1.25-AW
X.XXX ±0.10	DRAWN:	ZHANG	PART NO: WFCR11XXXXXXXXNRXXX
X.XX ±0.20	CHECKED:		DRAWING NO:
X.X ±0.30	APPROVED:		REV: A0 UNIT: mm SCALE: 3:1 SIZE: A4
X. ±0.50			

4

3

2

1