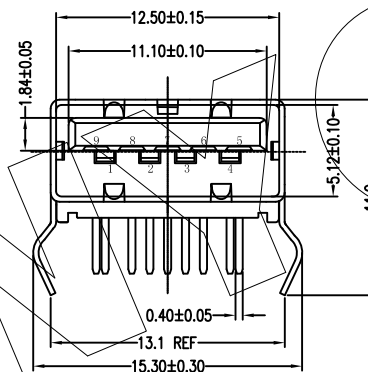
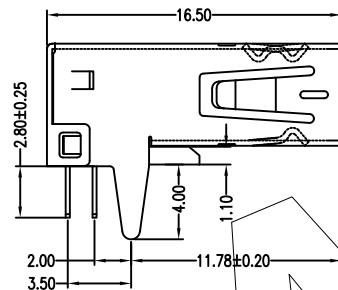
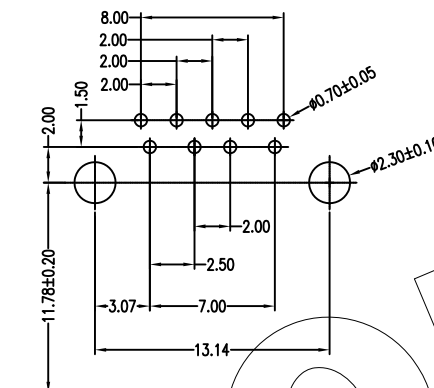
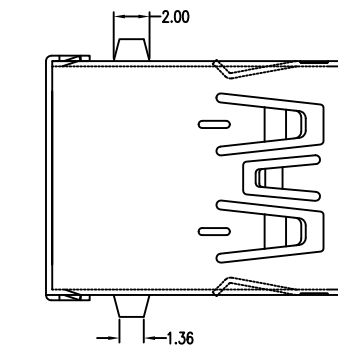


REVISION DATA

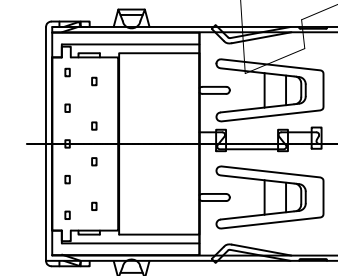
REV	DESCRIPTION	DATE
A0	NEW DRAWING	2016-5-26

NOTES:

- INSULATOR:PBT,COLOR:BLUE
- USB 4P CONTACT: PHOSPHOR BRONZE,T=0.20mm
USB 5P CONTACT: COPPER,T=0.20mm
SHELL: COPPER T=0.30mm
- PLATING:
CONTACT: GOLD (SEE 6) OVER 50u" MIN NICKEL AND 80u" MIN TIN OVER 50u" MIN NICKEL ON SOLDER TAIL;
SHELL(COPPER): 80u" MIN NICEL.
- ELECTRICAL CHARACTERISTICS;
 - CONTACT RESISTANCE:30mΩ MAXIMUM
 - CONTACT CURRENT RATING:1.5AMPERES
 - DIELECTRIC WITHSTANDING VOLTAGE:500 V R.M.S.
 - INSULATION RESISTANCE 1000 MΩ MIN
 - OPERATING TEMPERATURE:-40°C ~ 85°C
- MECHANICAL CHARACTERISTICS:
 - MATING FORCE:3.57kg MAX
 - UNMATING FORCE:1.02kg MIN
 - DURABILITY:MANDATORY:5,000 CYCLES
- PRODUCT NO. DESCRIPTION:



PCB LAYOUT
TOLERANCE:±0.05



Pin #	SIGNAL NAME	DESCRIPTION
1	VBUS	POWER
2	D-	USB 2.0 DIFFERENTIAL PAIR
3	D+	DIFFERENTIAL PAIR
4	GND	GROUND FOR POWER RETURN
5	StdA_SSRX-	SUPERSPEED RECEIVER DIFFERENTIAL PAIR
6	StdA_SSRX+	DIFFERENTIAL PAIR
7	GND_DRAIN	GROUND FOR SIGNAL RETURN
8	StdA_SSTX-	SUPERSPEED TRANSMITTER DIFFERENTIAL PAIR
9	StdA_SSTX+	DIFFERENTIAL PAIR
Shell	Shield	CONNECTOR METAL SHELL

ANYCONN® 东莞市恩康电子有限公司

www.enkcom.com

DONGGUAN ANYCONN ELECTRONICS CO.,LTD

TOLERANCE	PROJECTON	TITLE:
ANGLE ±5°	DATE :	2016-5-26
X.XXX ±0.10	DRAWN :	ZHANG
X.XX ±0.20	CHECKED :	
X.X ±0.30	APPROVED :	
X. ±0.50		
	REV: A0	UNIT: mm
	SCALE: 3:1	SIZE: A4

USB AF 3.0普通插板款

PART NO:

DRAWING NO: