

4

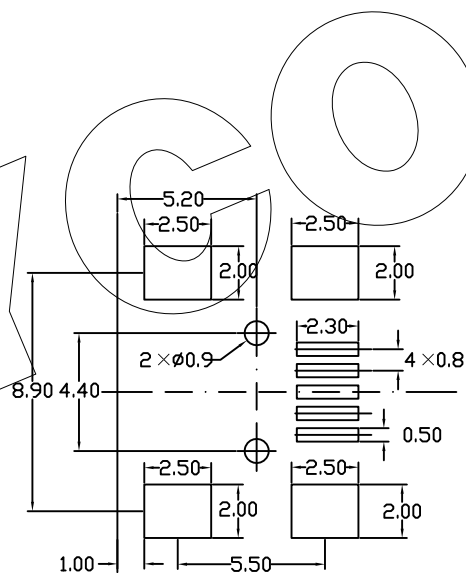
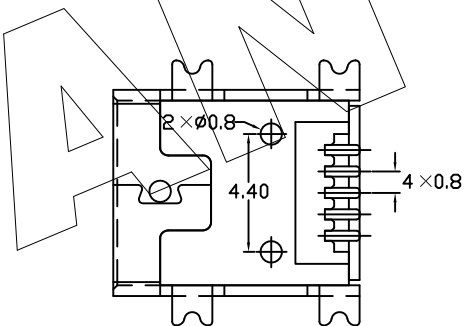
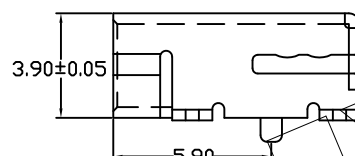
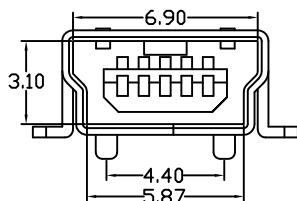
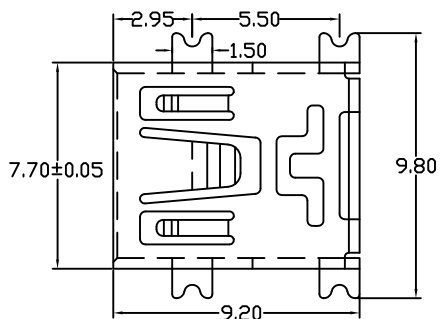
3

2

1

REVISION DATA

REV	DESCRIPTION	DATE
A0	NEW DRAWING	2016-5-26



RECOMMENDED PCB LAYOUT

规格说明 Specifications:

电气特性 Electrical:

- 额定电流 Current Rating: 1.0A/contact terminal
- 额定电压 Voltage Rating: 30V DC
- 接触电阻 Contact Resistance: 50 milliohms MAX
- 耐压 Dielectric Withstanding Voltage: 300 V AC AT Sea Level
- 绝缘电阻 Insulation Resistance: 100MEGA ohms MIN

物理性能 Mechanical:

- 连接器 Connector Mate and Unmate Force: Mate force:3.0kgf(MAX), Unmate force:0.7kgf(MIN)
- 端子保持力 Terminal Retention: 0.5kgf(MIN)

原材料 Material:

- 壳体 Housing: Hing Temperature Thermoplastics, UL 94V-0 LCP Black
- 端子 Contact: Copper Alloy C2680/C5191
- 外壳 Shell: Copper Alloy C2680

电镀 Finish:

- 端子 Contact: Plated Gold in Mating Area; Tin On Solder Talls
- 外壳 Shell: Nickel Plating

ANYCONN® 东莞市恩康电子有限公司

www.enkcom.com

DONGGUAN ANYCONN ELECTRONICS CO.,LTD

TOLERANCE	PROJECTON		TITLE:
ANGLE ±5°	DATE :	2016-5-26	MINI USB 5P/F SMT(B型1.0株)
X.XXX ±0.10	DRAWN :	ZHANG	PART NO:
X.XX ±0.20	CHECKED :		DRAWING NO:
X.X ±0.30	APPROVED :		REV: A0
X. ±0.50			UNIT: mm
			SCALE: 3:1
			SIZE: A4

4

3

2

1