

4

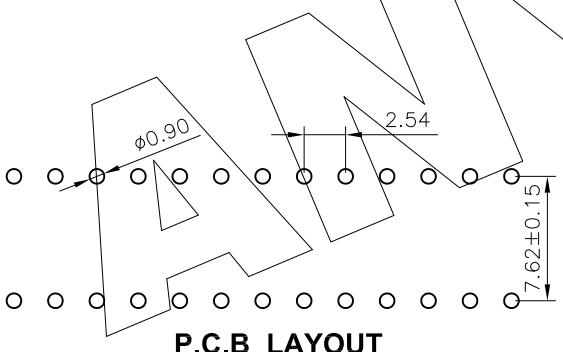
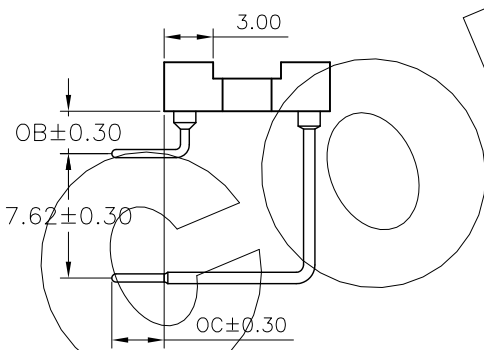
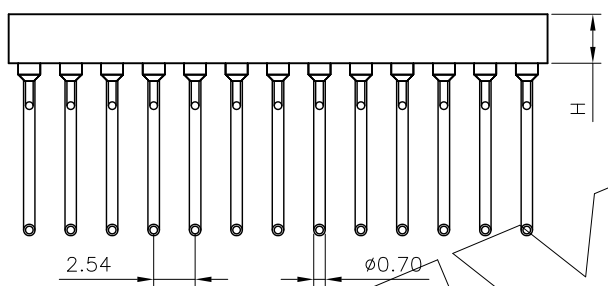
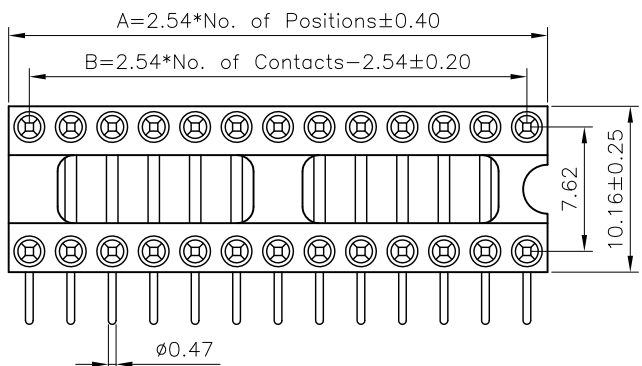
3

2

1

REVISION DATA

REV	DESCRIPTION	DATE
A0	NEW DRAWING	2012-10-19



P.C.B LAYOUT

No. of Positions	DIM"A"	DIM"B"	TYPE
6	7.62	5.08	无 横
8	10.16	7.62	
10	12.70	10.16	
14	17.78	15.24	
16	20.32	17.78	
18	22.86	20.32	
20	25.40	22.86	带 横
24	30.48	27.94	
28	35.56	33.02	
32	40.64	38.10	
40	50.80	48.26	
48	60.96	58.42	

Technical Data

Material:
 Pin(outer sleeve): Brass,machined CuZn38Pb2
 Clip(contact 4 finger): Beryllium copper,heat treated
 Plating(outer sleeve):
 Tin plated:2µm/80µ"Ni, 5µm/200µ"Sn
 Gold Plated:2µm/80µ"nickelfull gold
 Plating(contact): 2µm/80µ"nickel, gold or Tin plated
 Insulator black(housing): PPS (UL94V-0)

Electrical:
 Current rating: 3Amps/contact max.
 Contact resistance: ≤4mΩ/contact
 Insulation resistance: ≥1000MΩ at V=100V
 Operating voltage: 60VAC/DC

Mechanical:
 Average insertion force with steel pin of
 Ø0.43mm/0.017": <250g
 Average withdrawal force with steel pin of
 Ø0.43mm/0.017": >90g min.
 Mechanical life cycle:min.200
 Operating temperatures: Gold Plated:-55°C to+105°C
 Tin plated:-40°C to+105°C
 Soldering temperature: +260°C,10s max

PB

R	XXX	3	7	X	X	XX	2500A	R	00
Angel Options D 180°直插 R 90°折弯 S SMT H 卧式卧贴 A 单排SMT 第1Pin朝下 B 单排SMT 第1Pin朝上	No. of Positions XXX Positions	Dip Spacing 0 No 1 1.27mm 2 2.54mm 3 7.62mm 4 10.16mm 5 2.10mm 6 15.24mm 9 22.86mm S Special	Insulator Height 0 No 1 1.20mm 2 1.90mm 3 2.00mm 4 2.10mm 5 2.20mm 6 2.80mm 7 3.00mm 8 3.80mm 9 4.10mm A 4.20mm B 7.00mm S Special	Insulator type A PBT单排 B PBT双排 C PBT中空 D PBT带杠 E PPS单排 F PPS双排 G PPS中空 H PPS带杠 I PA46单排 J PA46双排 K PA46三排 L PA66单排 M LCP四排	Pin Plated 0 No 1 Tin120µ" 锡 2 Tin200µ" 全 3 Gold0.4µ" 全 4 Gold0.8µ" 5 Gold1µ" 6 Gold1.5µ" 7 Gold2µ" 8 Gold3µ" 9 Gold5µ" A Gold8µ" B Gold10µ" C Gold15µ" D Gold30µ" E Ag plated F Nickel80µ"	Clip plated 1 Tin120µ" 锡 2 Tin200µ" 全 3 Gold0.4µ" 全 4 Gold0.8µ" 5 Gold1µ" 6 Gold1.5µ" 7 Gold2µ" 8 Gold3µ" 9 Gold5µ" A Gold8µ" B Gold10µ" C Gold15µ" D Gold30µ" E Ag plated F Nickel80µ"	Pin length(mm) 0980A 9.80mm 2500A 25.0mm S Special	Insulator Option 0 No D 直角塑胶 R 圆角塑胶 S 小孔塑胶	Series 00 NO

ANYCONN® 东莞市恩康电子有限公司

www.enkcom.com DONGGUAN ANYCONN ELECTRONICS CO.,LTD

TOLERANCE	PROJECTON		TITLE: 2.54mmPitch IC Sockets Right Angle Pin Length 9.80/25.0mm
ANGLE ±5°	DATE :	2012-11-08	PART NO: PBRXXX37XXXX2500AR00
X.XXX ±0.10	DRAWN :	Anna	DRAWING NO: EP-PBR-003
X.XX ±0.20	CHECKED :		REV: A0 UNIT: mm SCALE: 2:1 SIZE: A4
X.X ±0.30	APPROVED :		
X. ±0.50			

4

3

2

1